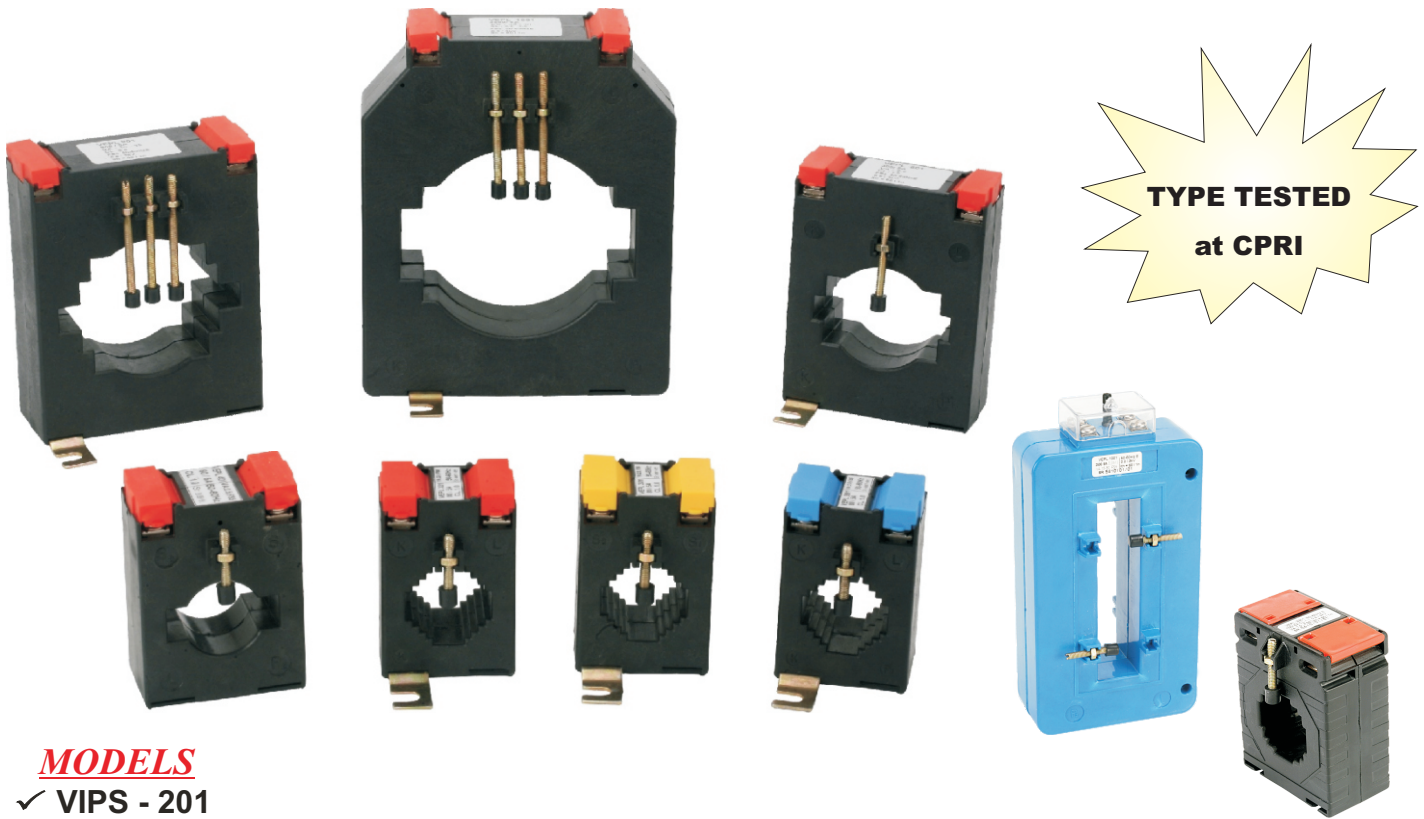


Moulded Current Transformer



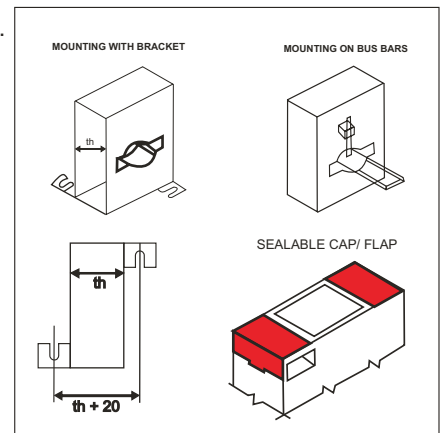
MODELS

- ✓ VIPS - 201
- ✓ VIPS - 301
- ✓ VIPS - 3301
- ✓ VIPS - 301E
- ✓ VIPS - 401
- ✓ VIPS - 4401
- ✓ VIPS - 601
- ✓ VIPS - 801
- ✓ VIPS - 1001
- ✓ VIPS - 1020
- ✓ VIPS - 1201

FEATURES

- High quality material, flame retarding and self extinguishing.
- Apertures accepting a wide range of busbar size
- Easy Busbar Mounting
- CT's are ultrasonically welded and are unbreakable.
- Terminals are finger proof touch as per IEC class
- Highly Cost effective
- Compact in size

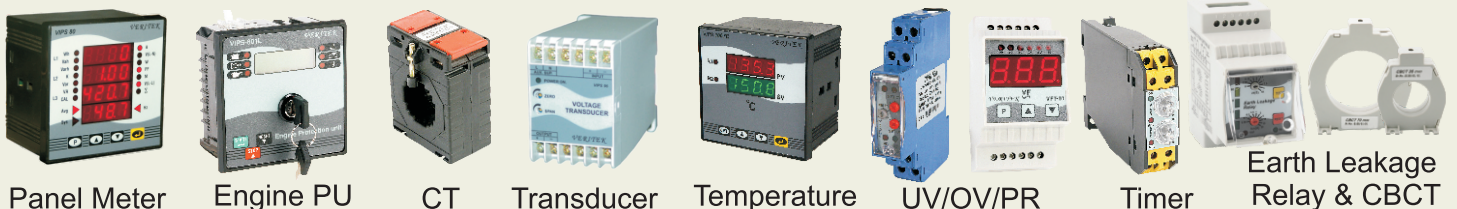
Structure



SPECIFICATION

System Voltage	: 720 V maximum	Insulation Class	: Class E
Test Voltage	: 3kV for 1 minute	Secondary terminals	: M5 Screw clamps
System Frequency	: 50 Hz or 60 Hz	Operating Temperature	: - 20°C to +70°C
Primary ratings	: From 50A to 4000A	Humidity	: < 95% RH (non condensing)
Secondary outputs	: 5A is standard ; 1A on request	Enclosure	: Flame retardant glass filled ABS
I (th)	: 60 x In	Compliant with	: VE404 and IEC185
Over load withstand	: 1.2 times rated current continuously	Mounting hardware	: Feet and Busbar screws
Rated dynamic Current	: 7.5kA for 1 second		
Saturation coefficient	: < 5		

Other Products Manufactured



Panel Meter

Engine PU

CT

Transducer

Temperature

UV/OV/PR

Timer

Earth Leakage Relay & CBCT