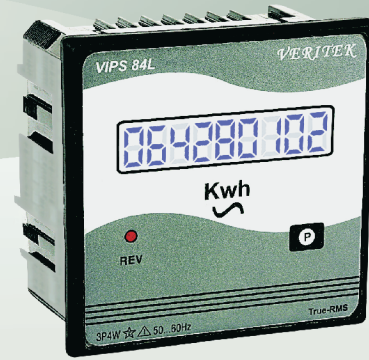




Features:

- ▶ LCD display with backlight
- ▶ Site Programmable CT ratio
- ▶ True RMS measurement
- ▶ Resolution 0.1 kWh
- ▶ Reverse indication for wrong wiring polarity
- ▶ EEprom retains Energy Parameters on power fail
- ▶ Universal Auxiliary supply



Advantages:

- ▶ Energy Management System
- ▶ To caution on the Extra Energy Consumption
- ▶ CT Ratio Site Programmable reduces inventory

Applications:

- ▶ Distribution System
- ▶ Generator Sets

Measuring Parameters

- ▶ kWh

Supply Voltage

Auxiliary Supply 90-270V AC/DC (±15%)
 Frequency 50-60 Hz

Display

Display 1 row, 9 Digit LCD display
 Display Scrolling Automatic/Manual

Settable Parameters

C.T. primary Up to 5000A (Programmable)
 C.T. Secondary 5A (Programmable)
 Display Reset Energy

Input Specifications

Electrical Connection 3Ø-4 wire/1Ø-2 wire
 Input Voltage Range 0-500V AC (L-L)
 Input Current Range 0.015 A-6A AC/Direct 60A (Optional)
 Frequency 45-65 Hz
 Resolution Energy 0.1 kWh
 Burden Voltage: 0.2 VA max. per input
 Current: 0.2 VA max. per input
 Aux. supply: 3 VA max.
 Accuracy Class 1

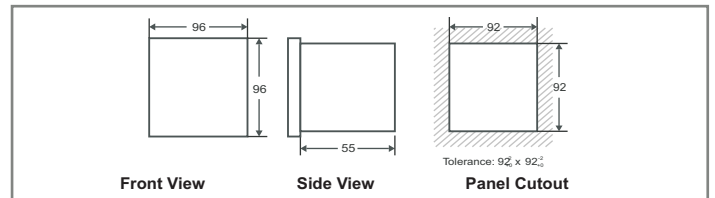
Environmental Specifications

Temperature Operating : -10° to 55°C
 Storage : -20° to 75°C
 Humidity < 95% RH

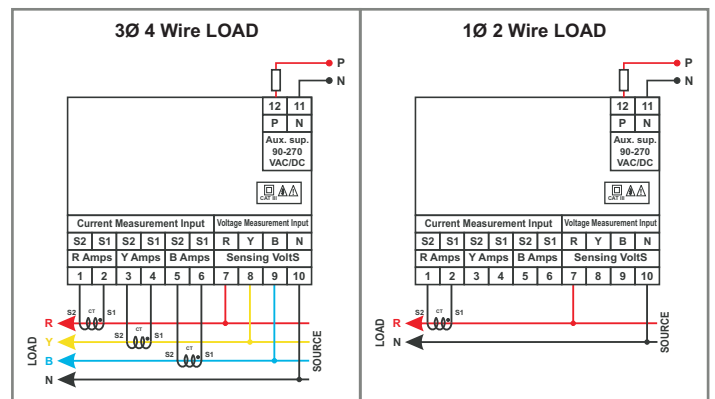
Mechanical Specifications

Mounting Flush Mounting with Side Clamps
 Weight 300 g
 Enclosure Material ABS Thermoplastic

Dimension



Connection Diagram



Ordering Information

| Ordering Code | Current Rating |
|-------------------|------------------------------------|
| VIPS 84L | 0-5A, CT programmable |
| VIPS 84L-60A-3P-N | 0-60A, external CT for 3 phase (N) |

| Accessories | | |
|---|--------|-------|
| Description | Code | Photo |
| for external CT of 60A programmed for three phase | 60A-3P | |

| Accessories | |
|---|---|
| The above module to be supplied with 1 meter long Leads | N |