



**Features:**

- ▶ 7 Segment LED display
- ▶ Site Programmable CT ratio
- ▶ True RMS measurement
- ▶ Password protection
- ▶ Bar graph indication of load current

**Advantages:**

- ▶ Protection of power assets
- ▶ Detection and isolation of faults
- ▶ Speedy tripping to avoid damage
- ▶ Maintain supply continuity of healthy circuit

**Applications:**

- ▶ Control Panel
- ▶ Feeder/Motor
- ▶ Generator
- ▶ Transformer
- ▶ Electrical Distribution

**Measuring Parameters**

- ▶ V<sub>L-L</sub> (Individual/Average), V<sub>L-N</sub> (Individual/Average)
- ▶ Current (Individual/Average)
- ▶ Frequency
- ▶ Earth Leakage current
- ▶ Run Hours

**Supply Voltage**

Auxiliary Supply 90-270V AC/DC (±15%)  
 Frequency 50Hz/60Hz

**Display**

Display 4 rows of 3 digits,  
 7 segment LED display  
 Bar graph for percentage load  
 Digit Height 0.39" (9.9 mm)

**Input Specifications**

Electrical Connection 3Ø-4 wire  
 Input Voltage Range 0-500V AC (L-L)  
 Input Current Range 0.05 A – 6 A AC  
 Frequency 45 Hz to 65 Hz  
 Resolution Frequency: 0.1 Hz  
 Voltage: 1 V  
 Current: 0-99: 0.1A  
 100-999: 1A  
 >1000 : 0.01 kA  
 Accuracy Class 1 for voltage and current  
 Burden <0.2 VA for voltage and current

**Output Specifications**

Relay Output 1 C/O potential free contact  
 (NO, C & NC) de-energise on fault

**Settable Parameters**

C. T. Primary 1/5A to 10000A (Programmable)  
 C. T. Secondary 1/5A (Programmable)  
 Trips Programmable: Under/Over voltage,  
 Under/Over Frequency, Under/Over  
 Current, Phase reversal, Phase fail,  
 Phase loss, Current asymmetry,  
 Voltage Asymmetry, Locked rotor,  
 Rotor earth fault

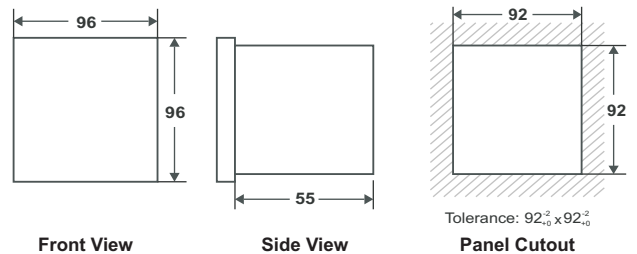
**Environmental Specifications**

Operating Temperature -10°C to 55°C  
 Storage Temperature 20°C to 75°C  
 Humidity < 95% RH

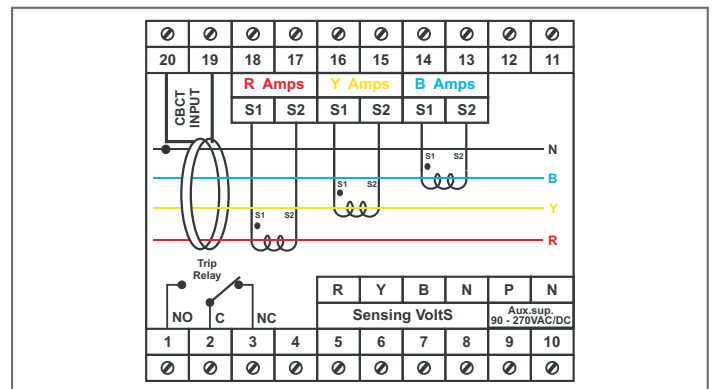
**Mechanical Specifications**

Mounting Flush Mounting with Side Clamps  
 Weight 280 g  
 Enclosure Material ABS Thermoplastic

**Dimension**



**Connection Diagram**



**Connection Diagram**

Ordering Code	Description
VIPS 83M	Motor Protection Relay Flush mounted