



VERITEK

CURRENT RELAY

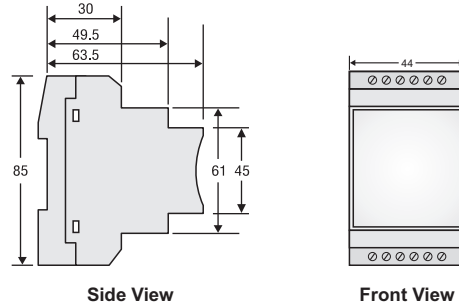


VIPS AT-01

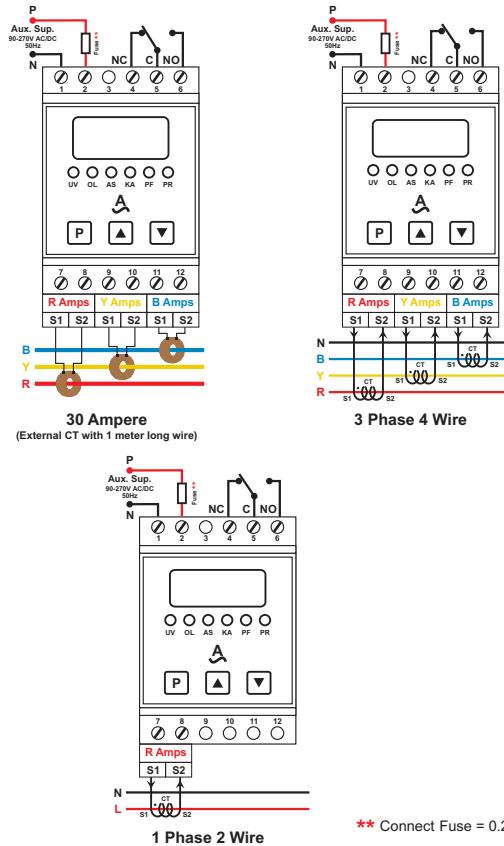
PROTECTION AVAILABLE

- (1) Over Load
- (2) Under Load
- (3) Current Unbalance Asymmetry
- (4) Starting Time Delay
- (5) Phase Reversal
- (6) Phase Loss (150% overloaded setting)

MECHANICAL DIMENSION



CONNECTION DETAILS



PROGRAMMING

CTr	CT Ratio (Primary Current)	PHF	Phase Failure (3Ø Only)
PHR	Phase 3 or 1	COB	Selection Trip Type
O-I	Over Current	MAN	Manual Tripping
U-I	Under Current	Aut	Auto Tripping
ASm	Asymmetry Current (3Ø Only)	A-Rt	Auto Reset Time (auto trip only)
TTm	Trip Time (over load & asymmetry)	StD	Start Time Delay (auto trip only)
HYS	Hysteresis	U-T	Under Current Trip Time
PHr	Phase Reversal (3Ø Only)	uRL	Value

CTr	P	To enter into CT Ratio (Primary Current)
▲ / ▼		To change value of CT Ratio (005 - 5.00KA)

PHR	P	To enter into Select Phase
▲ / ▼		To change Phase 3 or 1

O-I	P	To enter into Over Current
uSE / OFF	▲ / ▼	To Select Use / Off
uRL	▲ / ▼	To change value of over current

U-I	P	To enter into Under Current
uSE / OFF	▲ / ▼	To Select Use / Off
uRL	▲ / ▼	To change value of under current

ASm	P	To enter into Asymmetry Current (3Ø Only)
uSE / OFF	▲ / ▼	To Select Use / Off
uRL	▲ / ▼	To change value of asymmetry current

TTm	P	To enter into Trip Time of over load & asymmetry
▲ / ▼		To change value (0.2 - 99 sec)

HYS	P	To enter into Hysteresis
▲ / ▼		To change value of hysteresis (1 - 25% of primary current)

PHr	P	To enter into Phase Reversal (3Ø only)
uSE / OFF	▲ / ▼	To select Use / Off

PHF	P	To enter into Phase Failure (3Ø only)
uSE / OFF	▲ / ▼	To select Use / Off

COB	P	To enter into Trip Type
MAN / Aut	▲ / ▼	To select manual / auto tripping

A-Rt	P	To enter into Auto Reset Time (only for auto Tripping)
▲ / ▼		To change value of auto reset time (0 - 999 sec)

StD	P	To enter into Start Time Delay (only for auto Tripping)
▲ / ▼		To change value of start time delay

U-T	P	To enter into Under Current Trip Time
▲ / ▼		To change value

SPECIFICATION

- Aux. Supply** : 3 Phase 4 Wire / 1 Phase System
90-270 VAC/DC
- Frequency** : 50/60 Hz
- Burden** : < 3 VA
- Delay** : 0.2 Sec. to 99 Sec.
- Relay Contacts** : 1 Potential Free Contact (NO, C & NC)
(De-Energise on Fault)
- Contact Rating** : 6 Amps / 230 VAC / 28 VDC
- Nominal Current** : 5 Amps, Direct 30 ampere optional
- Accuracy** : Class 1
- Operating Temp** : -10°C to +70°C
- Storage Temp** : -20°C to +55°C
- Humidity** : < 95% RH (non condensing)
- Dimension** : 90 x 45 x 75 mm (L x B x H)
- Mounting** : Din (35 mm Rail) / 2 x m4 Screw
- Weight** : 200 gms
- Hysteresis** : 1 - 25% of PT
- Set Point** : 10% - 120% of nominal

SAFETY PRECAUTIONS :

All safety related codifications, symbols and instructions that appear in this operating manual or on the equipment must be strictly followed to ensure the safety of the operating personnel as well as the instrument.

If the equipment is not used in a manner specified by the manufacturer it might impair the protection provided by the equipment.

If there is physical damage to the unit then do not use it.

Read complete instruction prior to installation and operation of the unit.

WIRING GUIDELINES :

Warning

- 1) To Prevent the risk of electric shock power supply to the equipment must be kept OFF while doing the wiring arrangement.
- 2) Wiring shall be done strictly according to the terminal layout with shortest connection. Conform that all connection are correct.

CAUTION :



- 1) To ensure the safe operation of unit, check the wiring and connections.

FEATURES

- (1) Programmable Under / Over Current & Phase Fail.
- (2) Configurable for 1 Phase & 3 Phase systems.
- (3) Individual Fault can be deactivated as per system requirement.
- (4) Programmable CT Primary ratio, Delay & Hysteresis.
- (5) Auto / Manual reset option.
- (6) Consistent reliability with high accuracy.
- (7) 3 Digit Bright Display to indicate Current.
- (8) LED indicator for healthy / faulty status.

PARAMETER DISPLAYED

- ✓ R Amps
- ✓ Y Amps
- ✓ B Amps
- ✓ Scroll time 5 secs.

VERITEK ENGINEERING PVT. LTD.

Plot No. 222, EL-Electronic Zone, MIDC, TTC Industrial Area, Mahape, Navi Mumbai - 400701, India
Tel. : +91-22-2762 1125 / 6529 4268
Email : sales@veritekindia.com | Web : www.veritekindia.com